



**Nemoto Sensor
Engineering
Company Ltd**

4-10-9 Takaido-Higashi
Suginami-ku
Tokyo 168-0072
Japan

Web: www.nemoto.eu
E-mail: sensor2@nemoto.co.jp



Technical Information and User Manual

NE4-NH3

Electrochemical Ammonia (NH₃) Gas Sensor

For Industrial Applications

Apart from pages 5 and 6 (Specification and Dimensions sections), the data in this document does not constitute a specification but is intended as a guide, informing the instrument designer of the performance characteristics of the sensor which were observed by Nemoto Sensor Engineering scientists.

It should be read in conjunction with the official datasheet for the device, which includes the full technical specification for the NE4-NH3 Gas Sensor.

Nemoto Sensor Engineering Co. Ltd. has a policy of continuous development and improvement of its products. As such the specification and data outlined in this document may be changed without notice



INTRODUCTION

Nemoto & Co. Ltd was established in 1941 and continues to develop unique technologies for Safety, Security and Health markets worldwide. Using our unique experience of fine chemical preparation and printing, we were able to enter the gas sensor market in 1979 with a range of high-quality hot-wire type sensors (pellistors). Nemoto is now one of the world's leading manufacturers of chemical sensors and has so far delivered over 30-million devices to the market.

As a result of three years' development at our Tokyo R&D centre, we released our first electrochemical gas sensor in 2000.

The NE4-NH3 Gas Sensor is a 3-Electrode electrochemical gas sensor designed for the detection and measurement of Ammonia in the range 0-100ppm, in a wide range of industrial and commercial safety applications. By adhering to industry standards for size and connection orientation, the NE4-NH3 can be retrofitted easily to existing product designs.

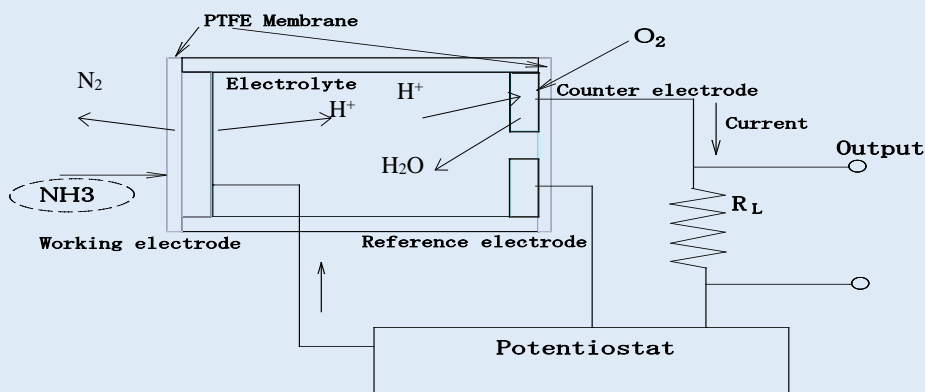
By using our experience of design for manufacture and our high volume production facilities in Japan and China, we have successfully reduced the cost of the NE4-NH3 whilst being able to maintain the highest performance quality.

NOTE: Nemoto offers 3 variants of the NE4-NH3 series sensors:

Variant Part Number	Range	Signal Output (nA/ppm)	Comments
NE4-NH3	0-100 ppm	40 nA/ppm	Standard sensor for occupational exposure monitoring of toxicity levels
NE4-NH3-1000	0-1000 ppm	8 nA/ppm	Sensor with an extended measuring range.
NE4-NH3-5000	0-5000 ppm	4 nA/ppm	For monitoring in the explosive (%LEL) range, for example the protection of refrigeration plants from explosive levels of gas



PRINCIPLES OF OPERATION



The NE4-NH3 consists of 3 porous noble metal electrodes separated by an acidic aqueous electrolyte, housed within a plastic (PPO) enclosure. Gas enters the cell via a gas phase diffusion barrier. An electrolyte reservoir ensures an excess of electrolyte is available at all times, and the sensor is vented to ensure that the internal and external pressure of the sensor is always in equilibrium.

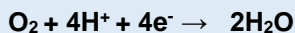
In operation, gas enters the cell via the capillary and filter, and comes into contact with the 'working' electrode. Any Ammonia present undergoes an oxidation reaction. The oxidation reaction converts the Ammonia into:

Nitrogen: Which is simply expelled into the atmosphere through the capillary.

Hydrogen Ions (H⁺): Which are taken into the electrolyte.

Electrons (e⁻): which are removed by the external circuit via a metal strip in contact with the working electrode, which creates a small (nA) electric current in the metal strip.

The reaction at the working electrode is balanced by a reciprocal (reduction) reaction at the 'counter' electrode, using Oxygen from the surrounding atmosphere.



The electrons consumed in this reaction are supplied by the external circuit via a metal strip in contact with the counter electrode.

Thus Hydrogen ions and electrons are generated at the working electrode, whilst Hydrogen ions and electrons are consumed at the counter electrode. By connecting the working and counter electrodes together via a special circuit, the flow of electrons between the two electrodes may be measured as a nA level current signal proportional to the ppm concentration of Ammonia.

The 'reference' electrode maintains the healthy operation of the cell. It is surrounded by electrolyte, sees no gas and no current is allowed to be drawn from it. Its electrochemical potential hence always remains constant at a level known as the "rest air potential" and this is used to regulate the potential of the working electrode, regardless of the current it is generating during operation. The use of a reference electrode in this way (i.e. three-electrode operation) helps to extend the working range of the sensor, improves linearity and results in a number of performance benefits compared with similar sensors working with 2-electrodes only.



FEATURES

Electrochemical gas sensors have the following superiority to conventional semiconductor type and hot-wire type gas sensors.

- **Linear output in proportion to gas concentration**
- **High reproducibility**
- **Highly gas specific**
- **Unaffected by humidity**
- **Stable output for long periods**
- **Low power consumption because no heater is used (can be battery operated)**
- **Small and lightweight (can be used in portable devices)**
- **No mechanical structure so highly resistant to shocks and vibrations.**

The NE4-NH3 has been developed from our accumulation of technologies in production of hot-wire type gas sensors, long research experience into catalysts, fine printing, and assembling of sensors. The NE4-NH3 is small and less-expensive, but has high sensitivity, long life, and leak-free performance even under severe operating conditions.

Air vent

The electrolyte used for chemical sensors is very hygroscopic, i.e. it has affinity for water, and its volume varies depending on ambient temperature and humidity. This variation causes pressure inside the sensor to rise and fall. In the worst case the electrolyte may leak out of the sensor and damage the circuitry around it.

To prevent this, the NE4-NH3 utilizes an air vent capability. This maintains equilibrium between internal and external pressures and allows the sensor to be used in any orientation and under high temperature and humidity conditions.

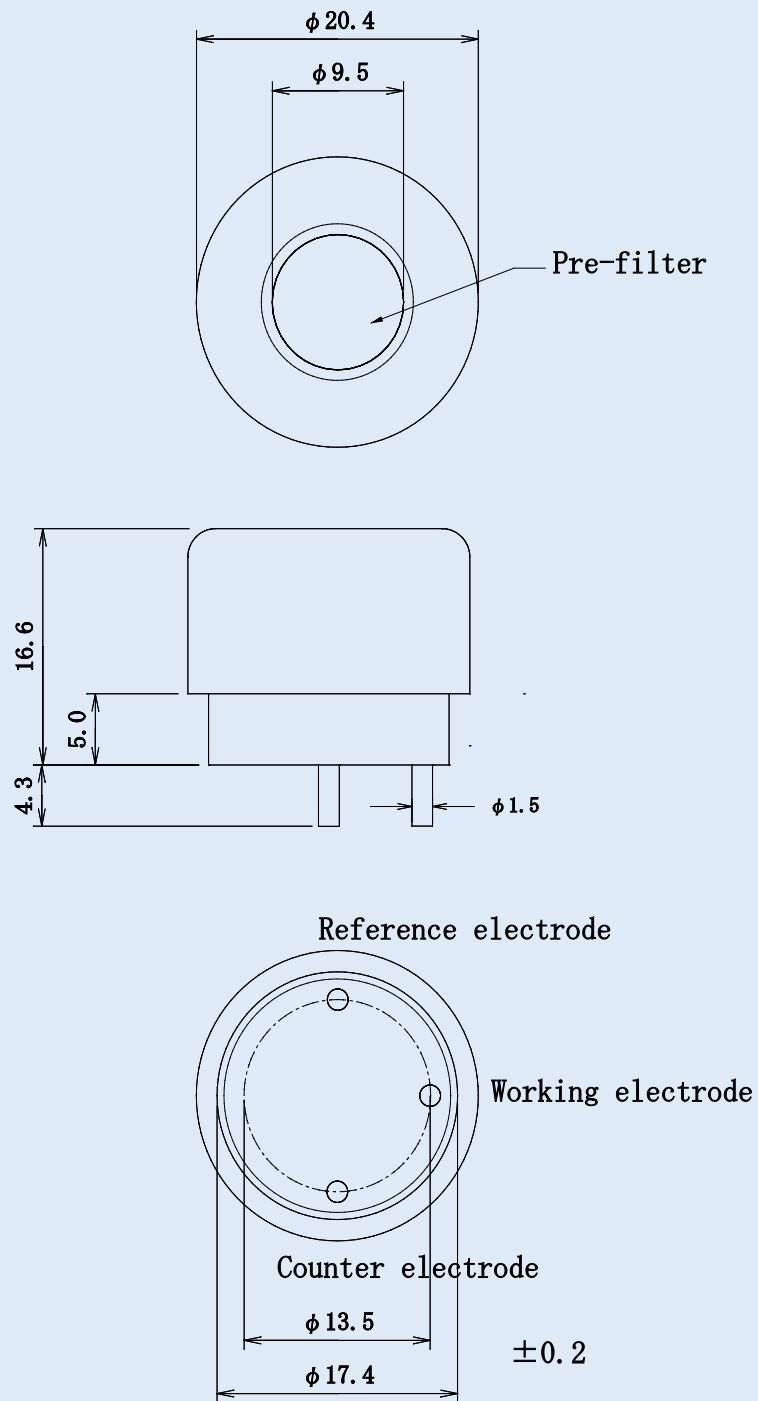


SPECIFICATIONS:

Output signal		40 +/- 12 nA/ppm NH ₃ (Linear to 100ppm)
Zero offset in clean air		< +/- 10ppm equivalent
Response time (T90)	(T ₉₀)	< 90sec.
Repeatability	(Same day measurement)	< +/- 10%
Long Term Stability	Zero offset	< +/-10 ppm equivalent / year
	Sensitivity to NH ₃	< +/- 2% signal / month
Temperature dependence	(Zero offset swing)	< +/-15ppm (-30°C to +50°C)
Temperature range	In Service	-40°C to +50°C
	Recommended in Storage	-0°C to +20°C
Humidity range	In Service	15 – 90%RH (non-condensing)
	Recommended in Storage	15 – 90%RH (non-condensing)
Pressure range in service		0.9 – 1.1 atm
Detection range		0 - 100ppm
Recommended load resistor		10Ω
Recommended maximum storage time		6 months
Expected Lifetime		24 months
Warranty	Against faulty workmanship or materials	12 months



DIMENSIONS:



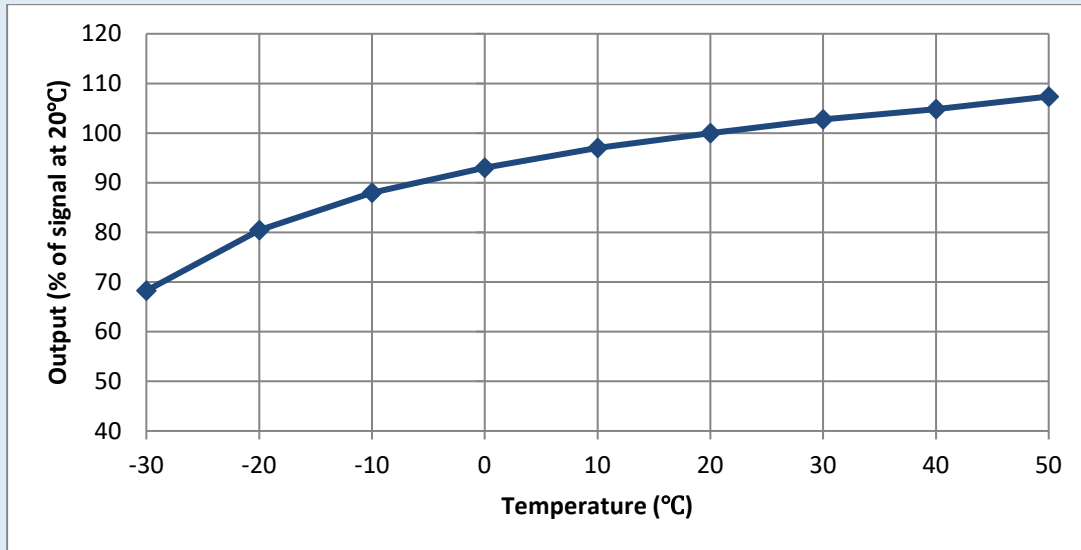
Case Material	PPO
Cap Color	Purple
Weight	5 g (approx.)



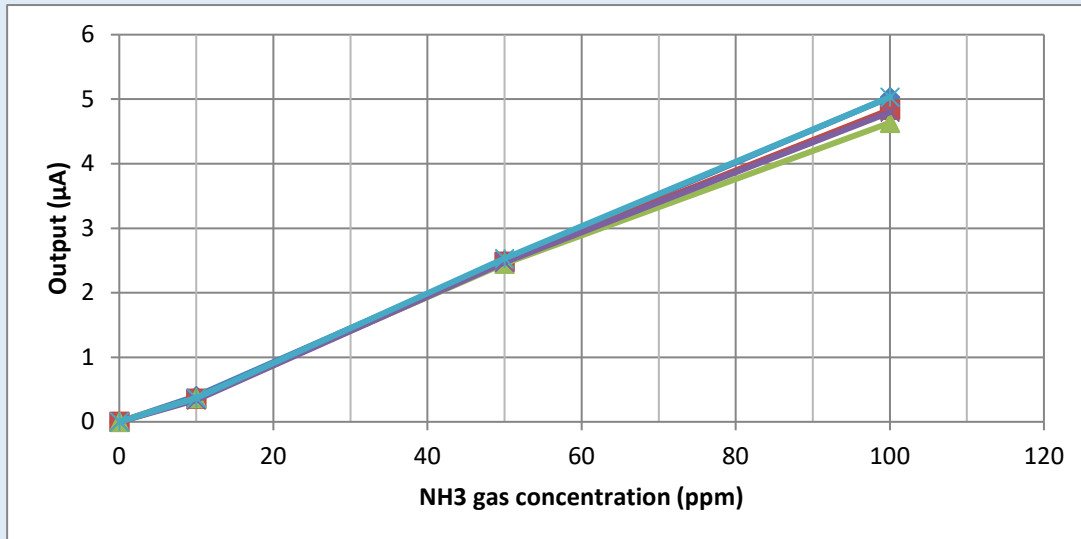
PERFORMANCE DATA

1) Uncompensated Temperature Dependence:

The following graph illustrates the typical effect of temperature on the output signal of the NE4-NH₃, for a sensor calibrated at 20°C:



2) Linearity





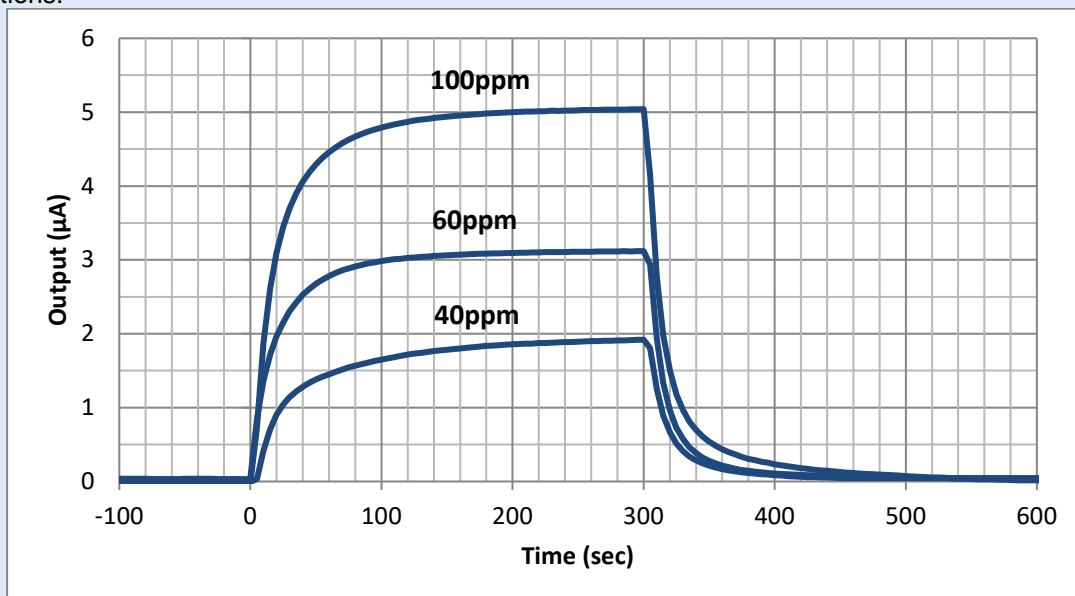
3) Cross Sensitivities:

The following table gives cross sensitivity information for a variety of commonly encountered gases (NH₃ = 100)

Test Gas	% cross-sensitivity
Ammonia	100
Carbon monoxide	0
Hydrogen	< -1
Hydrogen Sulphide	<200
Methane	0
Carbon dioxide	0
Sulphur dioxide	< 100
Nitric oxide	0
Nitrogen dioxide	10
Ethanol	0
Ethyl acetate	0
Chlorine	0
Ethylene	0

4) Response Characteristics

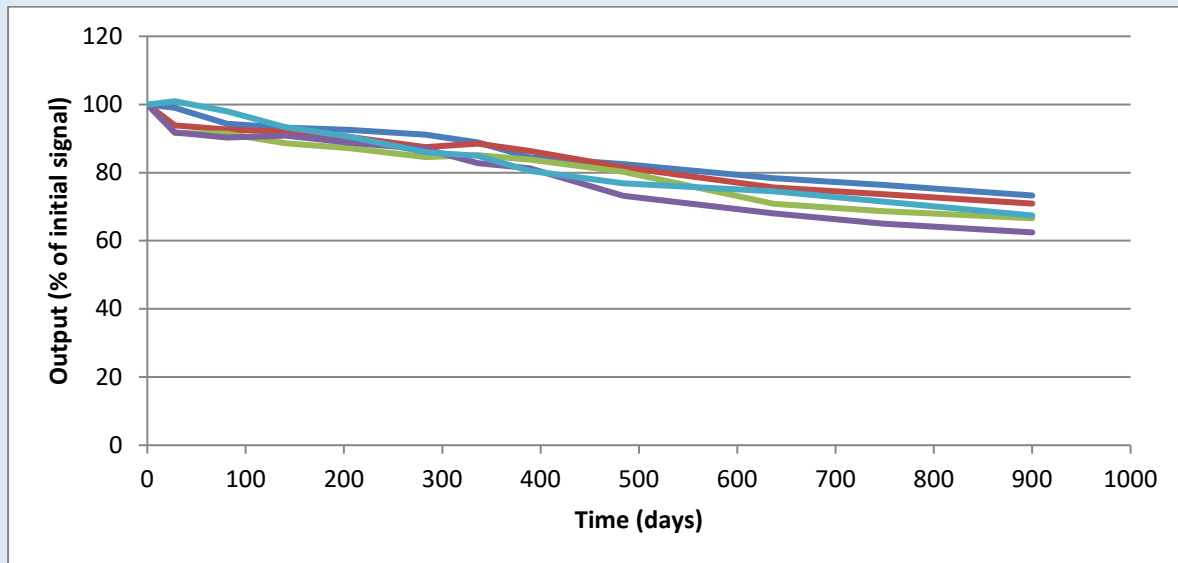
The following are plots of typical responses and recovery times for exposures to Ammonia at various gas concentrations:





5) Long-Term Drift Characteristics:

The following graph illustrates the typical Long-term sensitivity stability of the NE4-NH3 sensor over 900 days of operation.



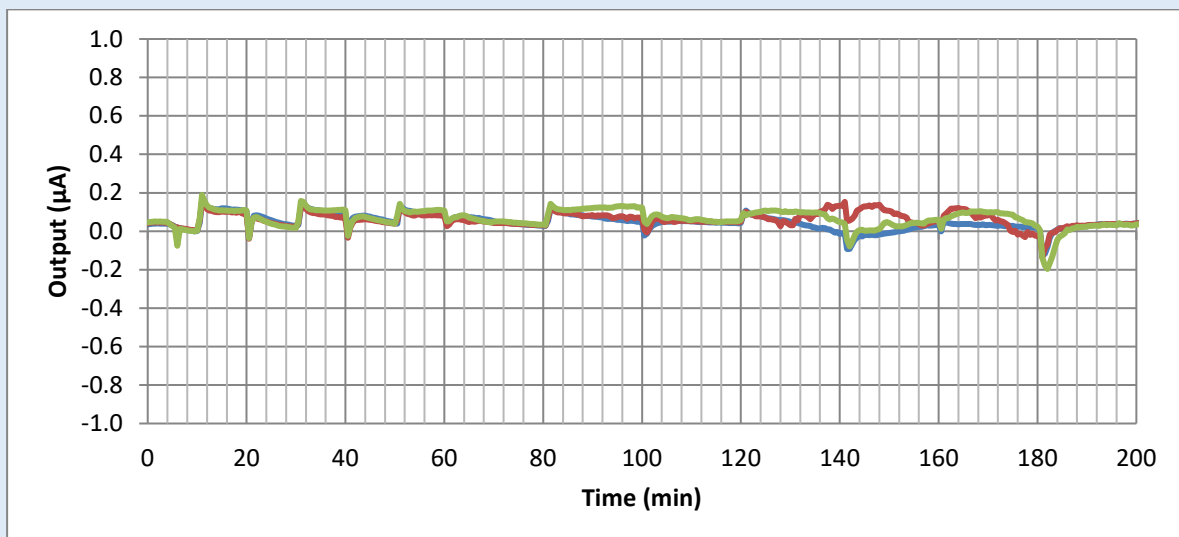
This data was generated in bench tests in a controlled clean environment. In service, in a real application, the long-term stability will also be dependent on the environmental conditions of the application.

TOLERANCE TO ENVIRONMENTAL EXTREMES

1) Tolerance to Humidity Variations

The following graph illustrates the zero offset variation of the sensor when exposed to large and frequent sudden swings in humidity. The Atmosphere was cycled from close to 0% RH to 90% RH every 10 minutes.

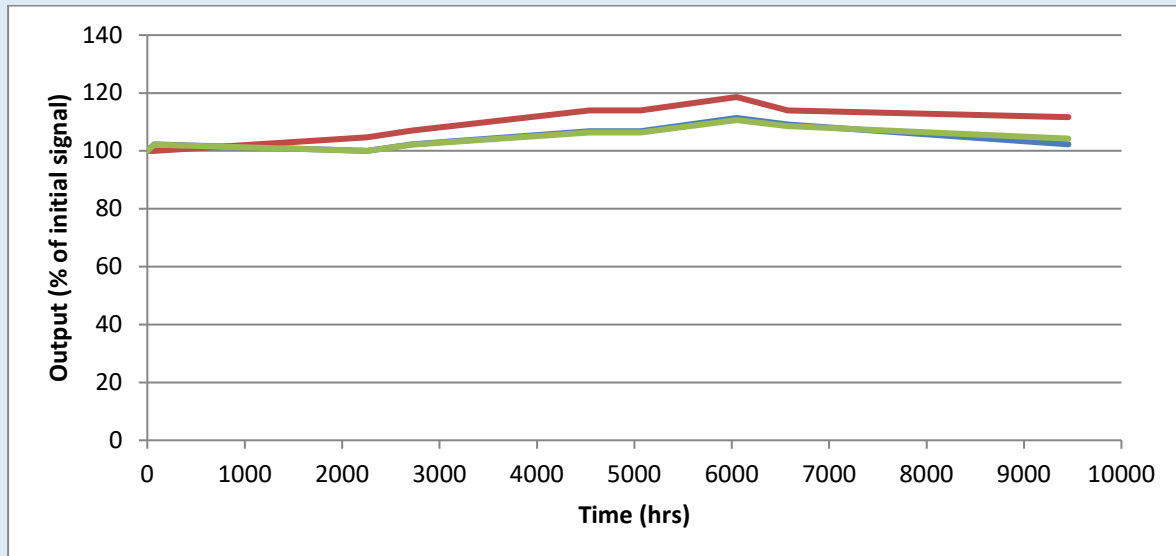
The sensors' zero offset does respond slightly to these humidity transients, the swing is a transient effect, quickly returning to its previous value, and was limited to < 5ppm equivalent.



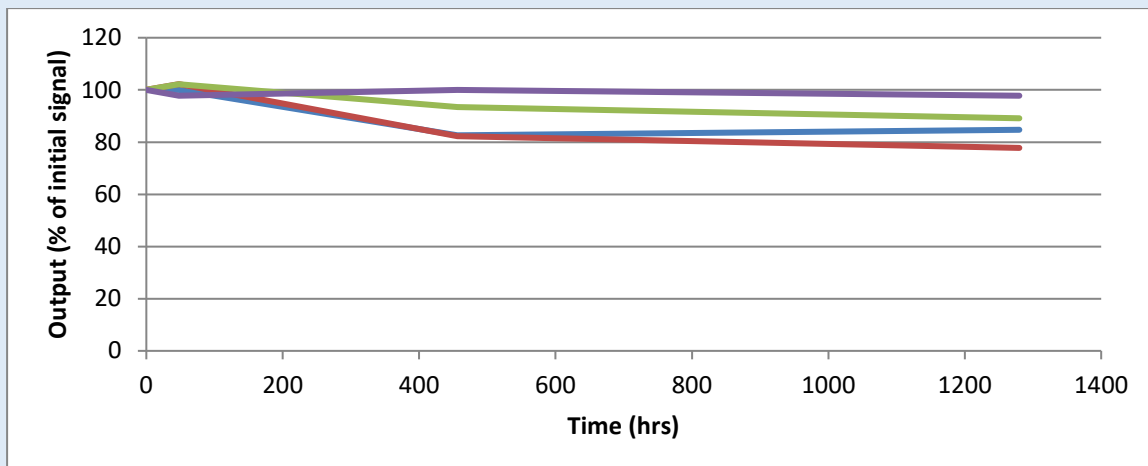


2) Tolerance to temperature and Humidity extremes

High Temperature / Low Humidity: The following graph illustrates the signal output stability for a sensor exposed to +50°C at close to 0%RH over 10,000 hours. The NH₃ concentration used was 100ppm NH₃ in air.

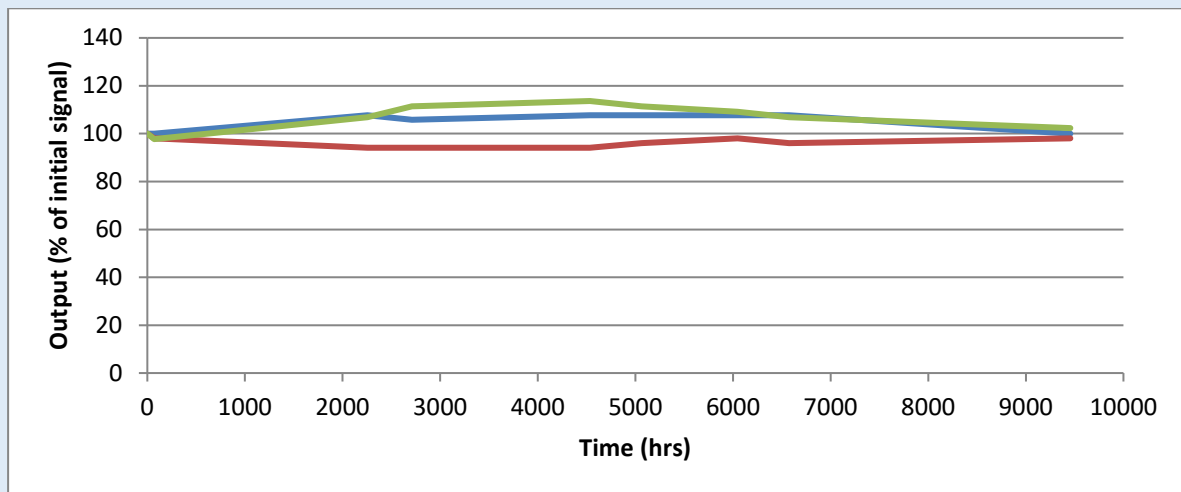


High Temperature / High Humidity: The following graph illustrates the signal output stability for a sensor exposed to +50°C and 90% RH over 1100 hours. The NH₃ concentration used was 100ppm NH₃ in air.





Low Temperature: The following graph illustrates the signal output stability for a sensor exposed to -20°C over 10,000 hours. The NH₃ concentration used was 10ppm NH₃ in air.



3) Tolerance to thermal shock

The following table shows the zero and sensitivity change following an exposure to -20°C for 30 minutes, followed immediately with an exposure to +50°C for 30 minutes. This 60 minutes cycle was repeated 10 times. The gas concentration used for testing was 100ppm.

No.	Before temperature cycling		After temperature cycling		Sensitivity variation ratio (%)
	Zero offset in air (µA)	Sensitivity to 100ppm NH ₃ (µA)	Zero offset in air (µA)	Sensitivity to 100ppm NH ₃ (µA)	
1	0.01	4.32	-0.01	4.50	104.2
2	0.02	4.25	-0.01	4.12	96.9
3	0.08	4.77	0.02	4.63	97.1
4	0.12	4.70	0.01	4.69	99.8
5	0.05	4.28	0.02	4.10	95.8

4) Tolerance to mechanical shock

The following table shows the zero and sensitivity change following a drop test: The sensor was dropped from a height of 1m on to a concrete floor 5 times. The gas concentration used for testing was 100ppm.

No.	Before test (micro A)		After test (micro A)		Sensitivity variation ratio (%)
	Zero offset in air (µA)	Sensitivity to 100ppm NH ₃ (µA)	Zero offset in air (µA)	Sensitivity to 100ppm NH ₃ (µA)	
1	0.07	4.53	0.04	4.60	101.5
2	-0.01	4.75	0.01	4.90	103.2
3	-0.02	4.75	0.02	4.71	99.2



5) Tolerance to Sulphur Dioxide (SO₂)

The following table shows the zero and sensitivity change following an exposure to 50ppm Sulphur Dioxide (SO₂) for 120 minutes. The gas concentration used for testing was 100ppm.

No.	Before exposure		After exposure		Sensitivity variation ratio (%)
	Zero offset in air (µA)	Sensitivity to 100ppm NH ₃ (µA)	Zero offset in air (µA)	Sensitivity to 100ppm NH ₃ (µA)	
1	-0.05	4.69	0.01	5.01	106.8
2	0.01	4.43	-0.03	4.56	102.9
3	-0.05	4.09	0.01	3.88	94.8
4	0.05	3.97	0.06	3.72	93.7
5	0.02	4.32	0.03	4.35	100.7

6) Tolerance to Hydrogen Sulphide (H₂S)

The following table shows the zero and sensitivity change following an exposure to 50ppm Hydrogen Sulphide for 120 minutes. The gas concentration used for testing was 100ppm.

No.	Before exposure		After exposure		Sensitivity variation ratio (%)
	Zero offset in air (µA)	Sensitivity to 100ppm NH ₃ (µA)	Zero offset in air (µA)	Sensitivity to 100ppm NH ₃ (µA)	
1	-0.02	4.24	-0.05	4.68	110.4
2	-0.02	3.82	0.01	4.43	116.1
3	0.02	4.22	-0.05	4.94	116.4
4	0.00	4.32	0.02	4.67	108.2
5	0.00	4.10	0.03	4.55	111.0

7) Tolerance to Nitrogen Dioxide (NO₂)

The following table shows the zero and sensitivity change following an exposure to 50 ppm Nitrogen Dioxide (NO₂) for 120 minutes. The gas concentration used for testing was 100ppm.

No.	Before exposure		After exposure		Sensitivity variation ratio (%)
	Zero offset in air (µA)	Sensitivity to 100ppm NH ₃ (µA)	Zero offset in air (µA)	Sensitivity to 100ppm NH ₃ (µA)	
1	0.01	5.18	0.00	5.08	98.0
2	-0.03	4.53	-0.01	4.59	101.1
3	0.02	3.89	0.02	4.00	102.7
4	0.06	3.77	0.04	3.87	102.7
5	0.03	4.37	0.02	4.28	98.0



8) Tolerance to Hydrogen

The following table shows the zero and sensitivity change following an exposure to 500ppm Hydrogen for 10 hours. The gas concentration used for testing was 100ppm.

No.	Before exposure		After exposure		Sensitivity variation ratio (%)
	Zero offset in air (μA)	Sensitivity to 100ppm NH_3 (μA)	Zero offset in air (μA)	Sensitivity to 100ppm NH_3 (μA)	
1	0.01	4.95	0.02	4.53	91.5
2	0.06	4.47	0.01	4.01	89.8
3	0.01	5.19	0.03	4.74	91.6
4	0.05	4.32	0.03	4.08	94.5
5	0.03	4.07	0.02	3.91	95.9

9) Tolerance to Silicone vapours

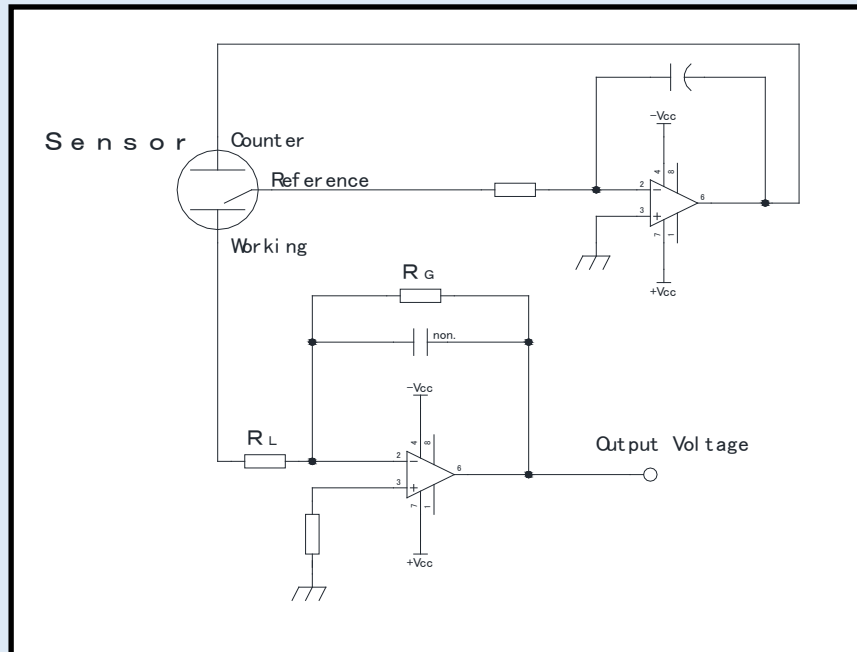
The following table shows the zero and sensitivity change following an exposure to 200ppm HMDS (HexaMethylDiSiloxane) vapour for 120 minutes. The gas concentration used for testing was 100ppm.

No.	Before exposure		After exposure		Sensitivity variation ratio (%)
	Zero offset in air (μA)	Sensitivity to 100ppm NH_3 (μA)	Zero offset in air (μA)	Sensitivity to 100ppm NH_3 (μA)	
1	-0.07	4.49	-0.05	4.32	96.2
2	-0.03	4.21	0.01	4.27	101.4
3	-0.05	4.54	-0.04	4.34	95.6
4	-0.07	4.99	-0.06	5.00	100.2
5	-0.04	5.15	-0.04	5.21	101.2



NOTES FOR CIRCUIT DESIGN

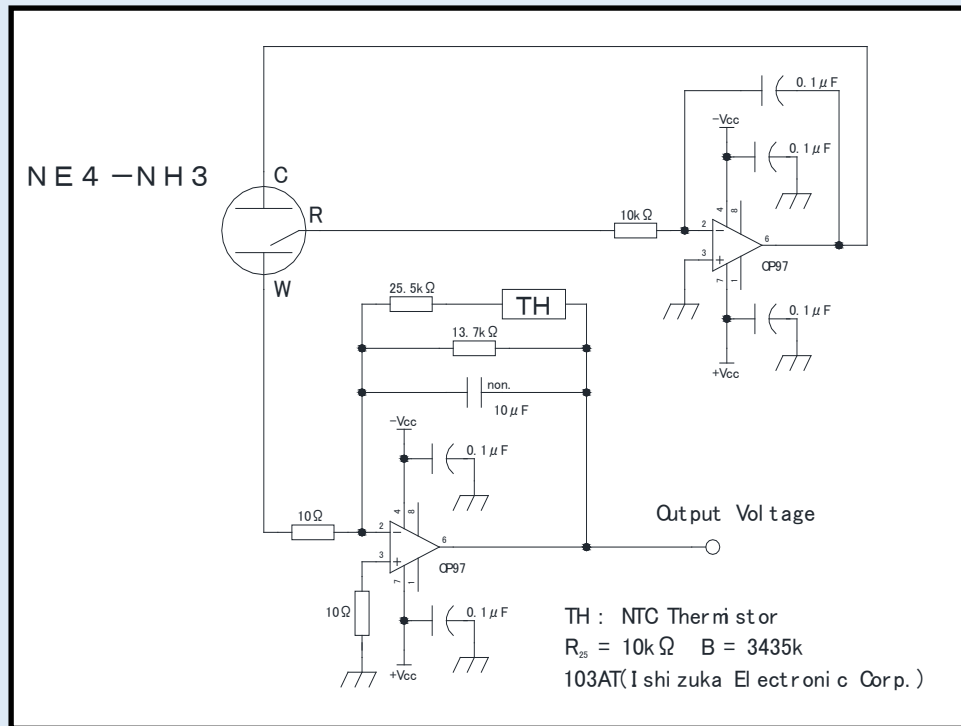
The basic measuring circuit for all 3-electrode electrochemical gas sensors is shown below:



- In this arrangement, the output voltage =
$$\text{Gas Concentration (ppm)} \times \text{Cell Output (A)} \times R_G (\Omega)$$
- So if R_G is 10k, cell output is 40nA/ppm and gas concentration is 100ppm then
$$V_{OUT} = 100 \times (40 \times 10^{-9}) \times (10 \times 10^3) = 0.040V$$
- R_L is the cell load resistor (typically 7.5-33 Ω). Speed of response can be increased by reducing the value of R_L , but signal noise may be increased as a consequence. The recommended values are shown on sensor datasheets
- Amplifiers should be high quality precision low input offset types, e.g. OP97 or similar
- Some sensors require temperature compensation circuitry. A simple compensation network can be incorporated into this circuit by replacing R_G with a thermistor. Typically this is a NTC thermistor that has 3435K of B constant adjusting the output accuracy to within $\pm 10\%$ in the range of $-10^\circ\text{C} \sim 50^\circ\text{C}$. Any thermistor with a B-constant around 3500K and resistance value (R_{25}) of 10 K Ω can be used. Alternatively, temperature compensation may be undertaken using software lookup tables.



The circuit Nemoto employs for all its internal testing of NE4-NH3 is shown below:



Nemoto recognises that the companies who use its gas sensing devices are themselves experts in circuitry design, often with more expertise than Nemoto in this area. The information given here is hence for initial guidance only, and Nemoto does not insist that instrument designers reproduce our circuitry guidance precisely. If the instrument designer deviates from this guidance significantly, however, Nemoto advises that we should be consulted to ensure that the proposed circuit design will function correctly.

Failure to adhere to the recommended circuitry outlined in this document without consultation with Nemoto may result in the suspension of the warranties which apply to the device.

GENERAL NOTES ON HANDLING, MANUFACTURE AND INSTRUMENT DESIGN

1) Long-term drift of gas sensitivity

All electrochemical gas sensors lose sensitivity over time due to small changes on the surface of the working electrode, reducing its oxidation capability. To reduce this, the NE4-NH3 uses a newly developed electrode catalyst that will not deteriorate by more than 5% / year. Typically, these changes are limited to less than 5% but we recommend that this deterioration should be taken into account when designing application circuits.

SPECIAL NOTE - Unlike other gas sensors of this type, Ammonia sensors have an active reagent contained within the sensor which is slowly consumed by the sensor when it is exposed to ammonia. The lifetime of the sensor in service is therefore somewhat governed by the eventual consumption of this reagent.

Nemoto has carefully designed the NE4-NH3 to ensure that there is enough of this reagent to last for at least 2 years of operation in the vast majority of gas detection applications, where the sensor will not be exposed to ammonia unless a leak or other hazardous situation arises.



In applications where the sensor is likely to be exposed to a constant background level of ammonia, or very frequently exposed to ammonia, the lifetime of the sensor could be shorter than specified. Please contact Nemoto for further guidance.

2) Environmental effects on gas sensitivity

Due to the hygroscopic nature of the electrolyte used in electrochemical sensors, moisture is absorbed from or released to the surrounding atmosphere. In high humidity moisture is absorbed, causing an increased sensitivity. In low humidity moisture is released back to the atmosphere and the sensitivity decreases. Conventional electrochemical gas sensors show annual variation of gas sensitivity as much as 10 ~ 20%.

The NE4-NH3 utilises an advanced electrolyte management design and, combined with the unique electrode catalyst structure, these changes can be greatly reduced. Under normal operating conditions, gas sensitivity should change by no more than $\pm 5\%$ of the output value. The NE4-NH3 is designed so that all changes due to moisture uptake/release are completely reversible.

If the gas intake area of the sensor is blocked with water drops or other liquid, gas cannot enter the sensor. The NE4-NH3 is fitted with an integral hydrophobic barrier to prevent this, but we recommend the use of additional membrane barriers if the sensor is in highly condensing RH conditions.

NH₃ gas is slightly less dense / lighter than air. In a typical safety related application, NH₃ detecting devices should hence be installed around least 5ft from the floor, and preferably at higher level if possible. However, many applications involve the monitoring for leaks in pressurised ammonia lines or cylinders in refrigeration plants. In such situations, the gas can be initially very cool, resulting in the leaking gas falling to ground level before rising when its temperature equilibrates with the surrounding atmosphere.

If the sensor is to be used in more irregular atmospheres, please contact us for assistance.

3) Storage of sensors

Electrochemical sensors should be stored in a clean air under room temperature, preferably 0°C ~ 20°C and in non-condensing RH conditions. The maximum storage period would be 6 months after delivery. For sensors stored for more than 6 months, the life in service may be shortened by the excess storage period. Unlike semiconductor type or hot-wire type gas sensors, the gas sensitivity of electrochemical gas sensors will change as time passes regardless of whether sensor has been used or not.

4) Mounting of sensors

Electrode pins must be connected correctly to ensure operation.

If a thermistor is used for temperature compensation, it must be located near the sensor and away from heat sources such as transformers.

The NE4-NH3 can be mounted in any orientation.

NE4-NH3 connection pins cannot be soldered as excess heating may cause the deformation of the housing and eventually leakage of electrolyte.

5) Calibration and gas testing

Calibration of detectors or densitometers should be done after the output value has been stabilized in clean air.

Evaluation of gas sensitivity should be made in clean, humidified, air. When a test gas is blown directly to the gas intake area, higher gas sensitivity may be observed. It is therefore best to test and calibrate gas detection instruments and sensors in diffusion mode. This can be achieved by using a suitable test housing where a low flow rate is used (<1l/min) and where the air is agitated to ensure equal gas diffusion throughout.



Note that Nemoto's own internal testing systems place the sensor in a large chamber, with the gas introduced by injection. The chamber includes a fan which gently agitates the gas inside the chamber to ensure the test gas is fully mixed with the air and does not stratify in the chamber. In this way, Nemoto's own testing very closely simulates the action of the sensor in a typical application.

Other methods, including the use of flow-through hoods and pumped sampling assemblies, may of course be used by instrument manufacturers, but it should be recognised that the method used to expose the sensor to test gas will have a small effect on the accuracy and repeatability of the results obtained, and the correlation of these results with Nemoto's own routine QA test results.

6) Other

Unless otherwise advised by Nemoto, voltage should not be supplied directly to the electrode pins.

Do not bend the pins.

Do not apply more than 5 Kg/cm² of force to the sensor.

Take care not to block the gas intake area as it may prevent gas entering the sensor.

Never put foreign material in the gas intake area as it may cause the electrolyte leakage

Do not expose the sensor to excess vibration or shock.

If the sensor housing is damaged, do not use the sensor.

After the sensor is exposed to high concentration gas for long periods, the output signal may require time to recover to normal operation.

Do not blow organic solvents, paints, chemical agents, oils, or high concentration gases directly onto sensors.

Do not disassemble the sensor as this may cause electrolyte leakage.

DEFINITIONS

Baseline / Baseline shift: Baseline means the output level in clean air. The output current value at 20°C would be less than 200nA, but this tends to increase as the ambient temperature rises more than 30°C. The baseline shift means this variation of the output level, i.e. a maximum of 1µA would be put out at 50°C. This baseline shift should be taken into account to optimise overall accuracy. In this manual, the output values are calculated to be equivalent to NH₃ gas concentrations.

Gas sensitivity / Output signals: Using the NE4-NH₃, 40 ± 12nA is generated at 1ppm of NH₃ gas. For instance, the generated current value will be about 4µA at 100ppm of NH₃ gas (100ppm x 40nA). This generated current is generally recorded as a voltage produced by a Current – Voltage converting circuit as illustrated in our recommended circuit, as the conversion is done through a resistor of 10 KΩ.

Response time (T₉₀): This is the time taken to reach to 90% of the maximum output value in clean air.

Repeatability: This is the maximum variation of output signals when tests are repeated under the same measuring conditions (temperature, humidity, gas concentration etc.). The repeatability of NE4-NH₃ is ± 10%, and this means that all of the test results would fall in the range of 90% ~ 110%.

Temperature dependence: All electrochemical sensors are affected by changes in the ambient temperature and the output increases as the ambient temperature rises. This is caused by the rate of oxidation reaction on the surface of the catalyst, the dispersibility of the gas in the capillary, and the thermal effects on the mobility of ions in the electrolyte. This temperature dependency can be compensated relatively easily by using a NTC thermistor.