



# TECHNICAL INFORMATION SHEET

## NE7-CO Electrochemical Carbon Monoxide (CO) Gas Sensor

Nemoto Sensor  
Engineering Co., Ltd.  
4-10-9, Takaido-higashi,  
Suginami-ku, Tokyo,  
JAPAN

### General Description

The NE7-CO is a new electrochemical gas sensor with 3 electrodes for the detection of Carbon monoxide (CO) in a variety of gas detection applications. Exhibiting high performance with long-term stability, this standard size (32mm dia, 7-type) sensor is suitable for portable Fixed Gas Detection heads used in a wide variety of gas detection applications.

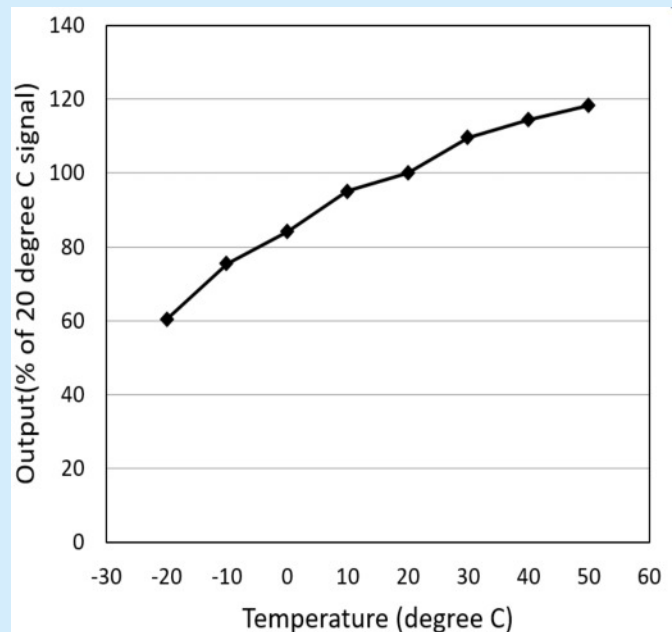
Nemoto's porous electrode technology enables accurate gas detection with high sensitivity. The mechanical design of the sensor gives optimum gas diffusion characteristics, and the hermetically sealed enclosure prevents costly electrolyte leakage.



### Specifications:

Detectable Gas	Carbon monoxide (CO)
Detection Range	0-1000ppm
Maximum overload	2000ppm
Output Current	100 +/- 25 nA/ppm
Reproducibility (same day)	+/- 1%
Zero in clean air	< +/- 5ppm equivalent
<b>Long term drift:</b>	
Zero	< +/- 5 ppm / Year
Span	< 5% Signal / Year
Response time (T <sub>90%</sub> )	< 30 seconds
Temperature drift (zero)	< 10ppm (-20°C to +50°C)
Warranted lifetime	> 2 years
Temperature Range:	-20°C to +50°C
Humidity range (constant)	15-90% RH
Humidity range intermittent)	0-99% RH
Pressure	0.9 - 1.1 atm
Recommended load resistor	10 Ω
Storage time	6 months
(Without compromising lifetime)	

### Temperature response



Test data on drift, poisoning, temperature performance, linearity are available on the Characterisation Document.

Nemoto has a policy of continuous development and improvement of its products. As such the specification for the device outlined in the data sheet may be changed without notice

ne7-co.ppp, issue 1, Nov 2017

### Contact Information:

Europe & Africa Area

Asia Area

Americas Area

### Website

[www.nemoto.eu](http://www.nemoto.eu)

[www.nemoto.co.jp](http://www.nemoto.co.jp)

[www.nemoto.eu](http://www.nemoto.eu)

### email

[eusensor@nemoto.co.jp](mailto:eusensor@nemoto.co.jp)

[sensor2@nemoto.co.jp](mailto:sensor2@nemoto.co.jp)

[nasensor@nemoto.co.jp](mailto:nasensor@nemoto.co.jp)

### Telephone

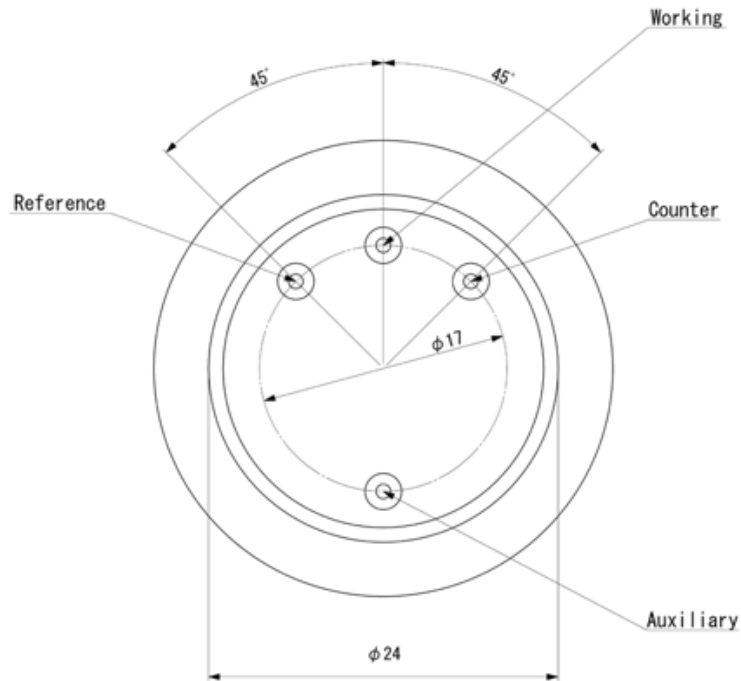
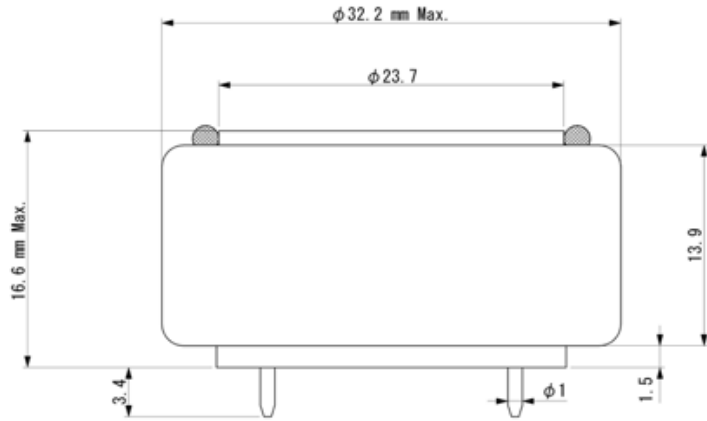
+44 (0)1799 543968

+81 3 3333 2760

+1 604 761 7363



## Dimensions:



Tolerances :  $\pm 0.15$

1

Test data on drift, temperature performance, linearity etc are available on the Characterisation Document.

Nemoto has a policy of continuous development and improvement of its products. As such the specification for the device outlined in the data sheet may be changed without notice

ne7-co.ppp, issue 1 Nov 2017

### Contact Information:

Europe & Africa Area

Asia Area

Americas Area

### Website

[www.nemoto.eu](http://www.nemoto.eu)

[www.nemoto.co.jp](http://www.nemoto.co.jp)

[www.nemoto.eu](http://www.nemoto.eu)

### email

[eusensor@nemoto.co.jp](mailto:eusensor@nemoto.co.jp)

[sensor2@nemoto.co.jp](mailto:sensor2@nemoto.co.jp)

[nasensor@nemoto.co.jp](mailto:nasensor@nemoto.co.jp)

### Telephone

+44 (0)1799 543968

+81 3 3333 2760

+1 604 761 7363